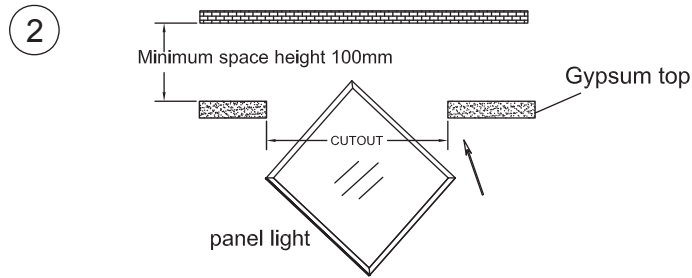
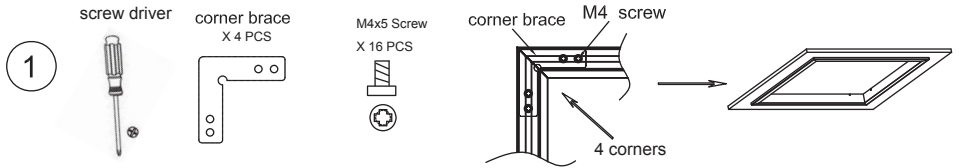
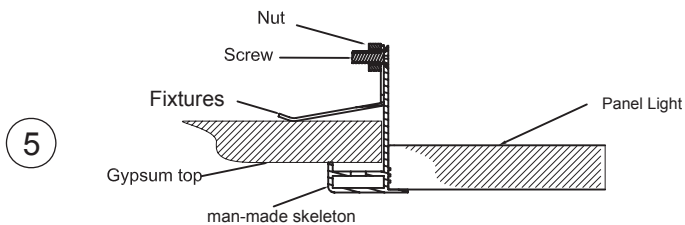
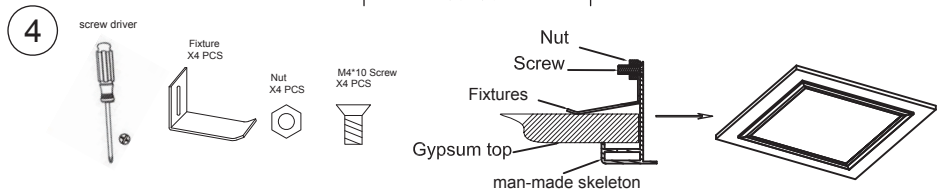
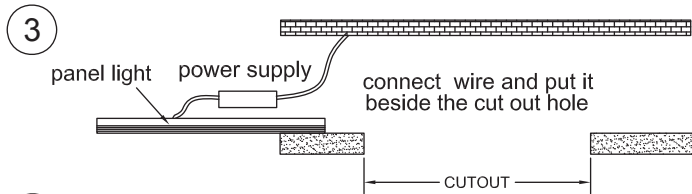


Illustration for led panel light installation

----- Plaster board ceiling



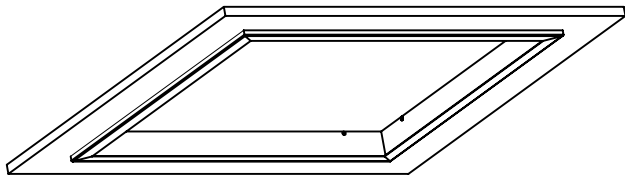
Panel Light size	man-made skeleton cutout size(mm)
620*620	630*630
300*1200	307*1207



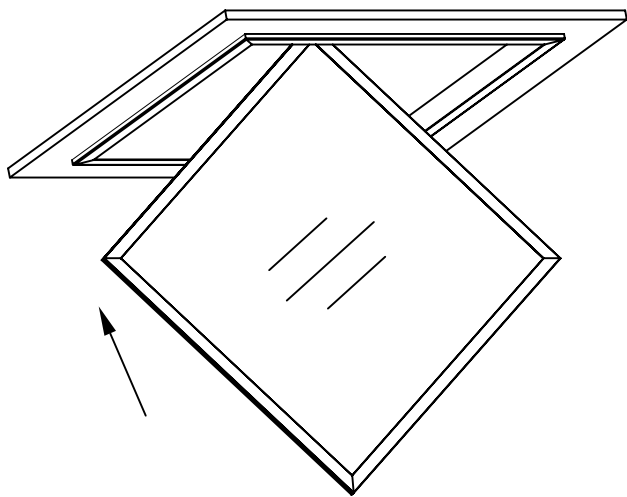
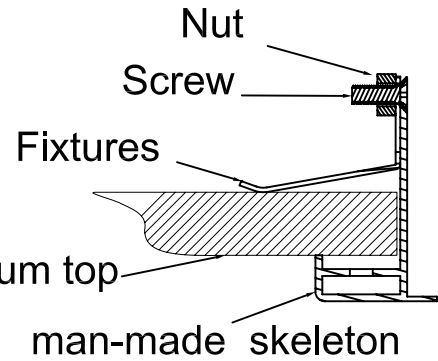
Sectional drawing of plaster board ceiling installation
Installation finished

Illustration for led panel light installation

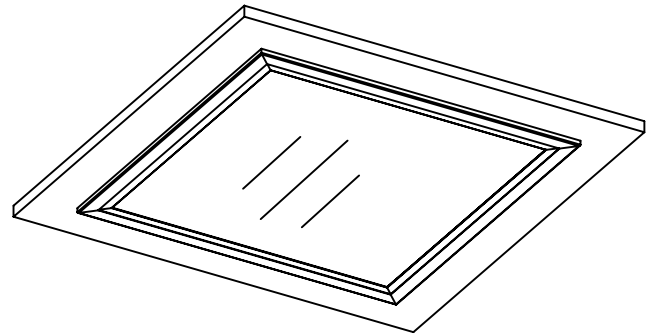
----- Plaster board ceiling



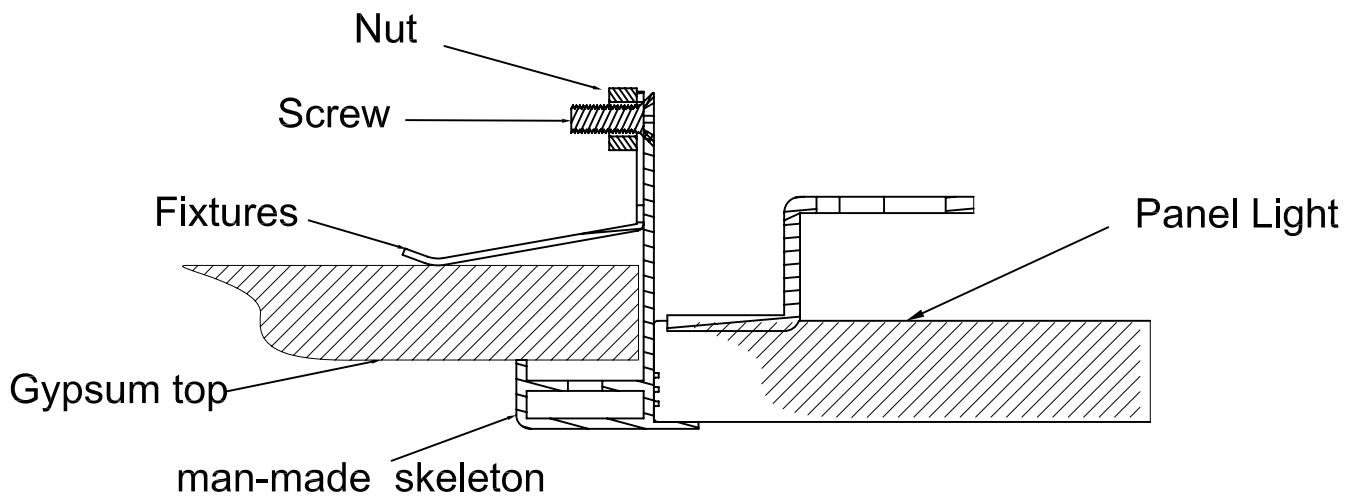
A, Putting the man-made skeleton into the gypsum top which is opened a hole.



B, Putting the led panel into the man-made skeleton along the diagonal line



C, Installation finished



● Sectional drawing of plaster board ceiling installation